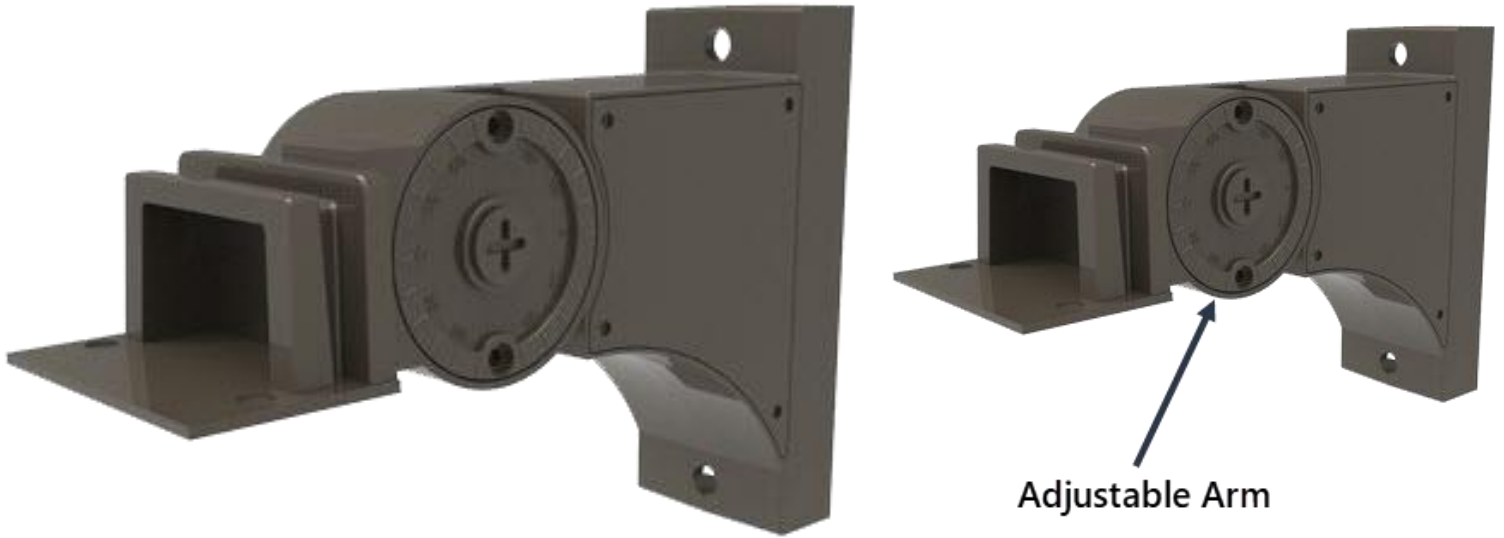


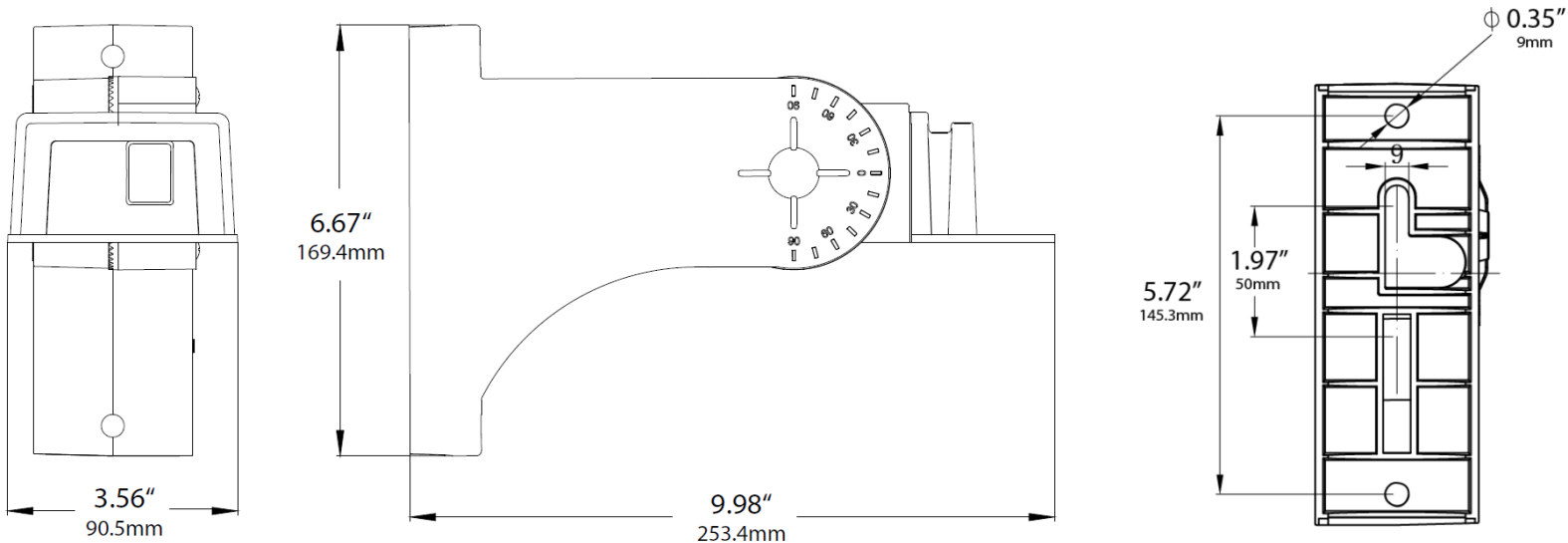
Date: _____ Location: _____
 Product: _____ Project: _____
 Quantity: _____ Catalog #: _____

Adjustable Arm Mount for LOC-RGAL & LOC-SPAL Series



MODEL	QUANTITY	WEIGHT	UPC CODE
Arm Mount for LOC-RGAL & LOC-SPAL	1	2.95 lbs	00815586025749

MEASUREMENTS



ARM MOUNTING: Follow mounting directions as in Fig. 4 -8.

- a. **Square Pole Installation:** Install the arm base on the square pole (Fig. 4), connect the wires correctly, slide the fixture down to the arm base and screw the two safety screws (Fig. 5).
- b. **Round Pole Installation:** Make the mount base arc-shaped to fit the round pole (Fig. 6), screw the plate and mounting base together (Fig. 7), connect the wires correctly, slide the fixture down to the arm base and screw the two safety screws (Fig. 8).

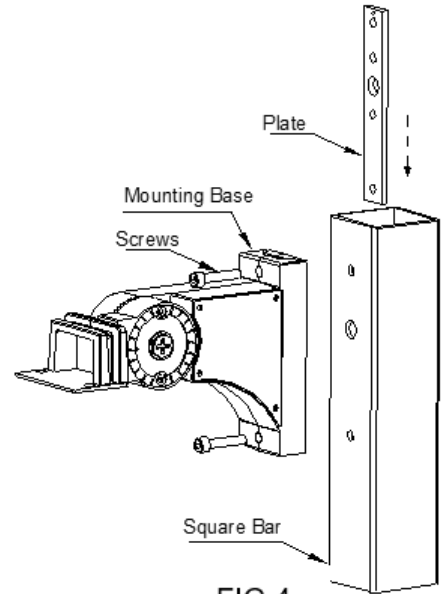


FIG.4

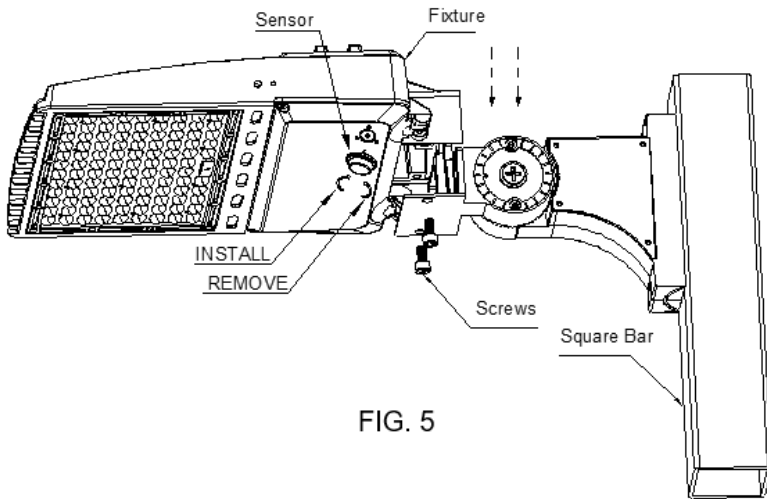


FIG. 5

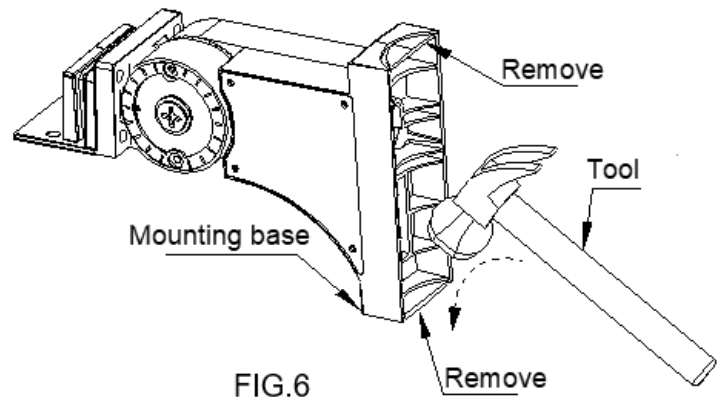


FIG.6

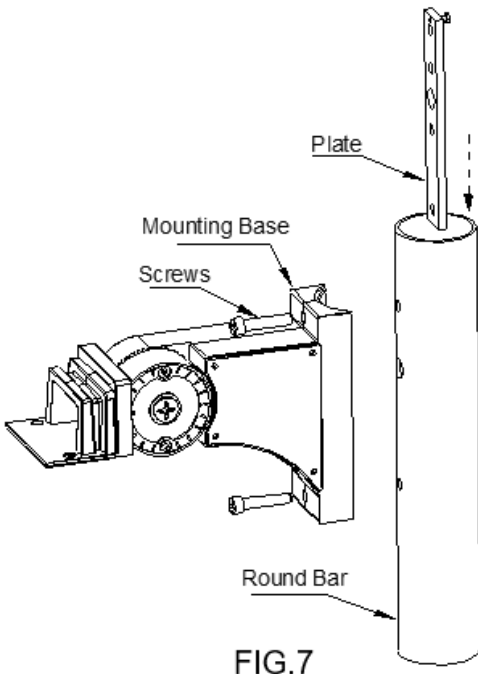


FIG.7

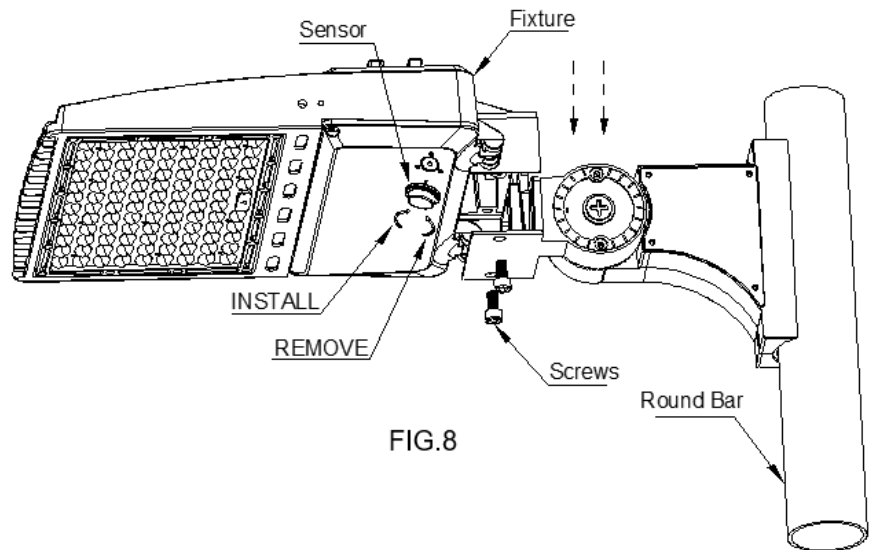


FIG.8